



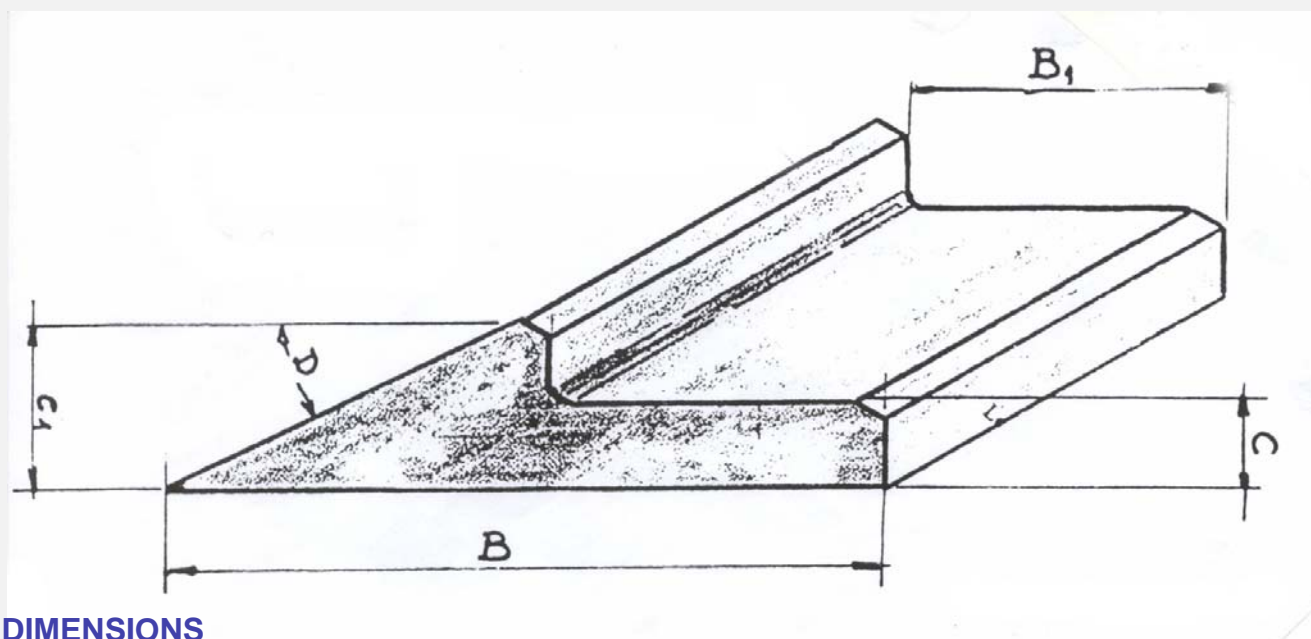
60 rue de la Tuilerie - 38920 Crolles - France
 Tél. 0033 438 920 980 - Fax. 0033 476 401 384 - Email : info@steelor.com

STEEL STEELHARD SMPR

STEEL PROFILE ARROW 500 HB

Blades forged out of steel treated of a hardness of 500 HB, intended to be welded or bolted on blades of buckets of chargers, loaders or mechanical shovels. The profile arrow allows an effective protection of the blade of origin welded onto the cup as well as lower part of the cup.

Its replacement is simple and fast.



DIMENSIONS

	B	B1	C	C1	D	Weigh/Kg	Length
SMPR 1	101	46	11	21	23°	28	3 Meters
SMPR 2	203	129	19	32	25°	93	3 Meters
SMPR 3	254	132	29	58	25°	241	3,66 Meters
SMPR 5	150	68	15	32	25°	63	3 Meters



60 rue de la Tuilerie - 38920 Crolles - France

Tél. 0033 438 920 980 - Fax. 0033 476 401 384 - Email : info@steelor.com